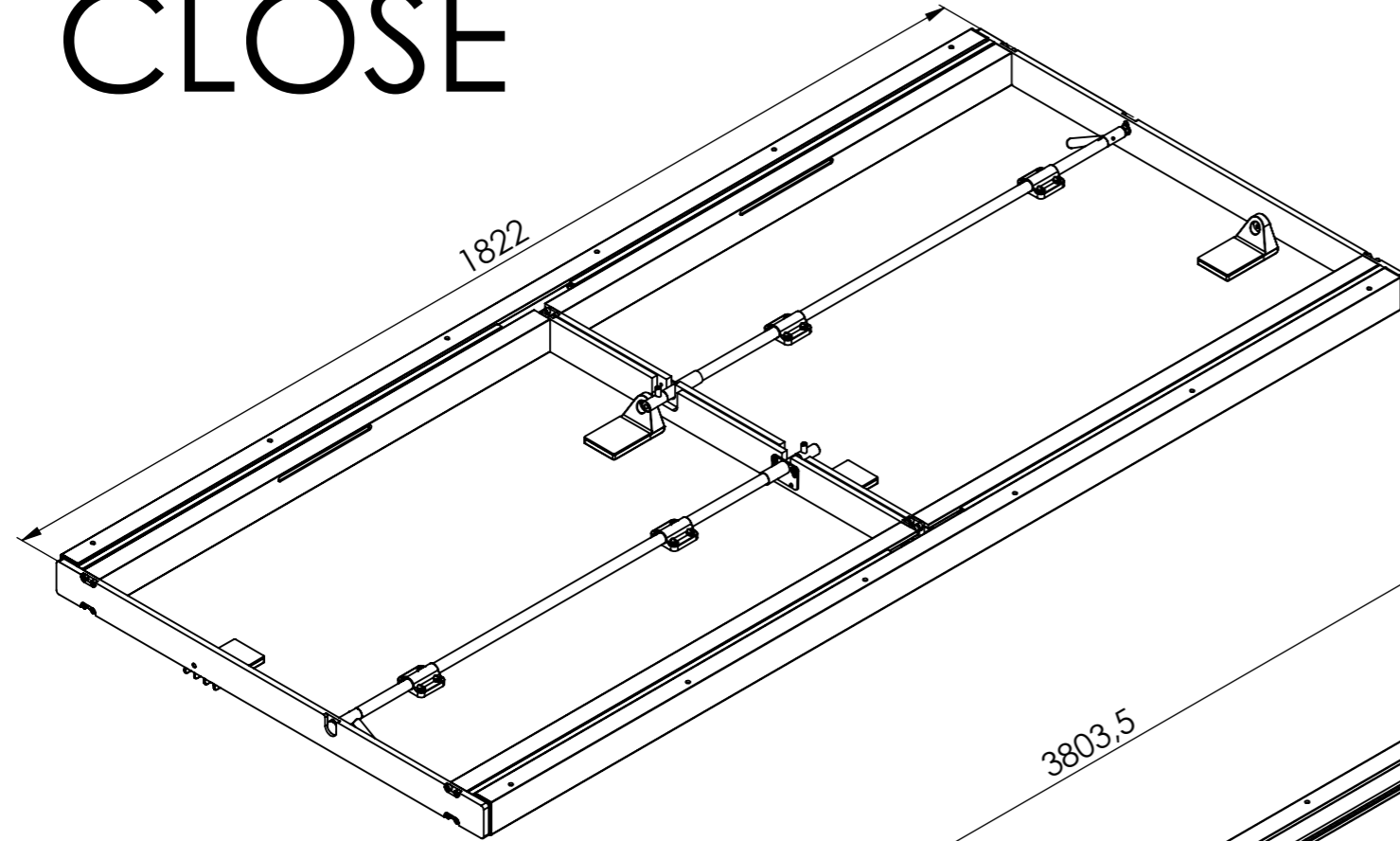
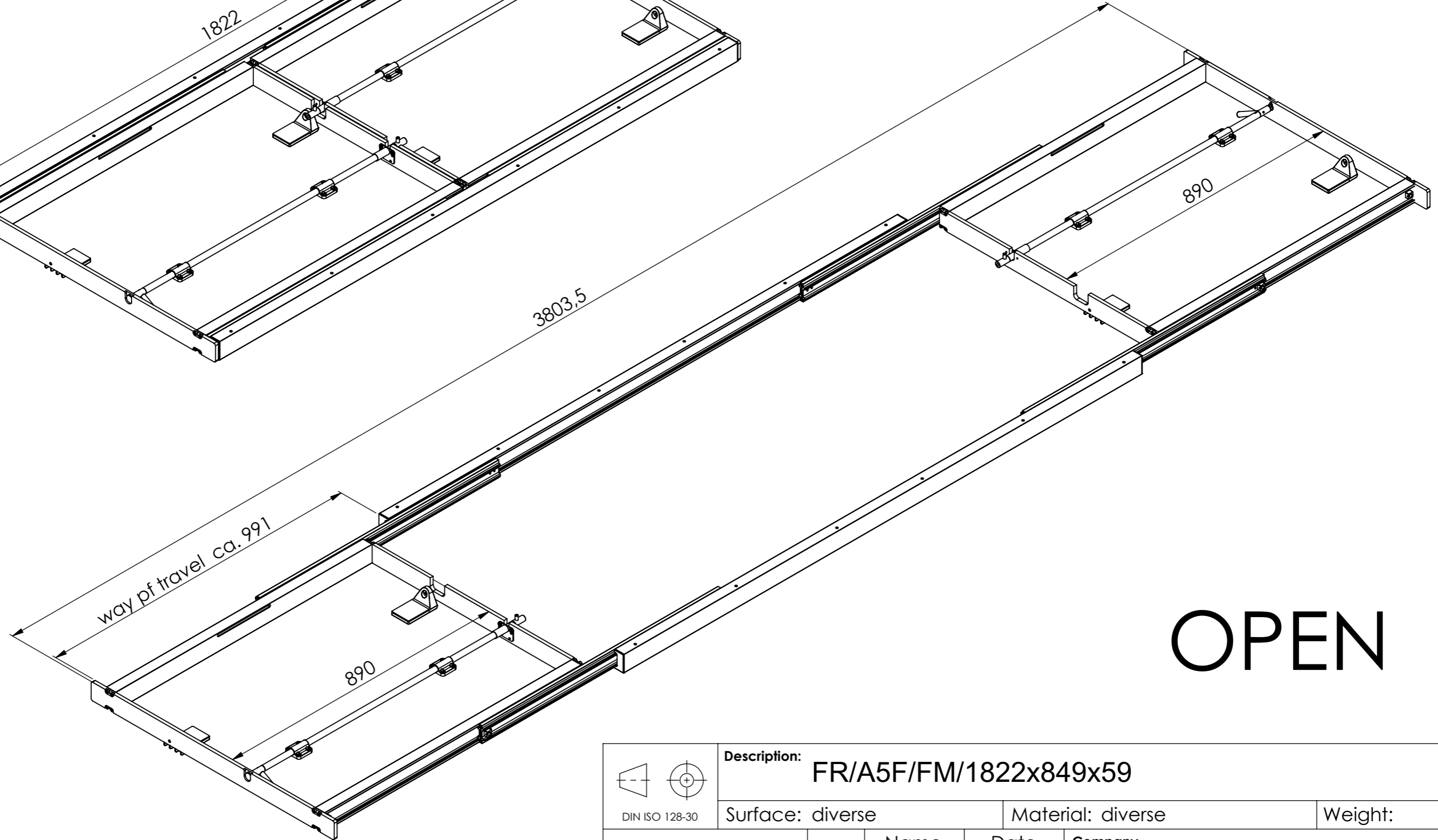
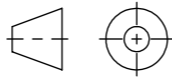



CLOSE



OPEN

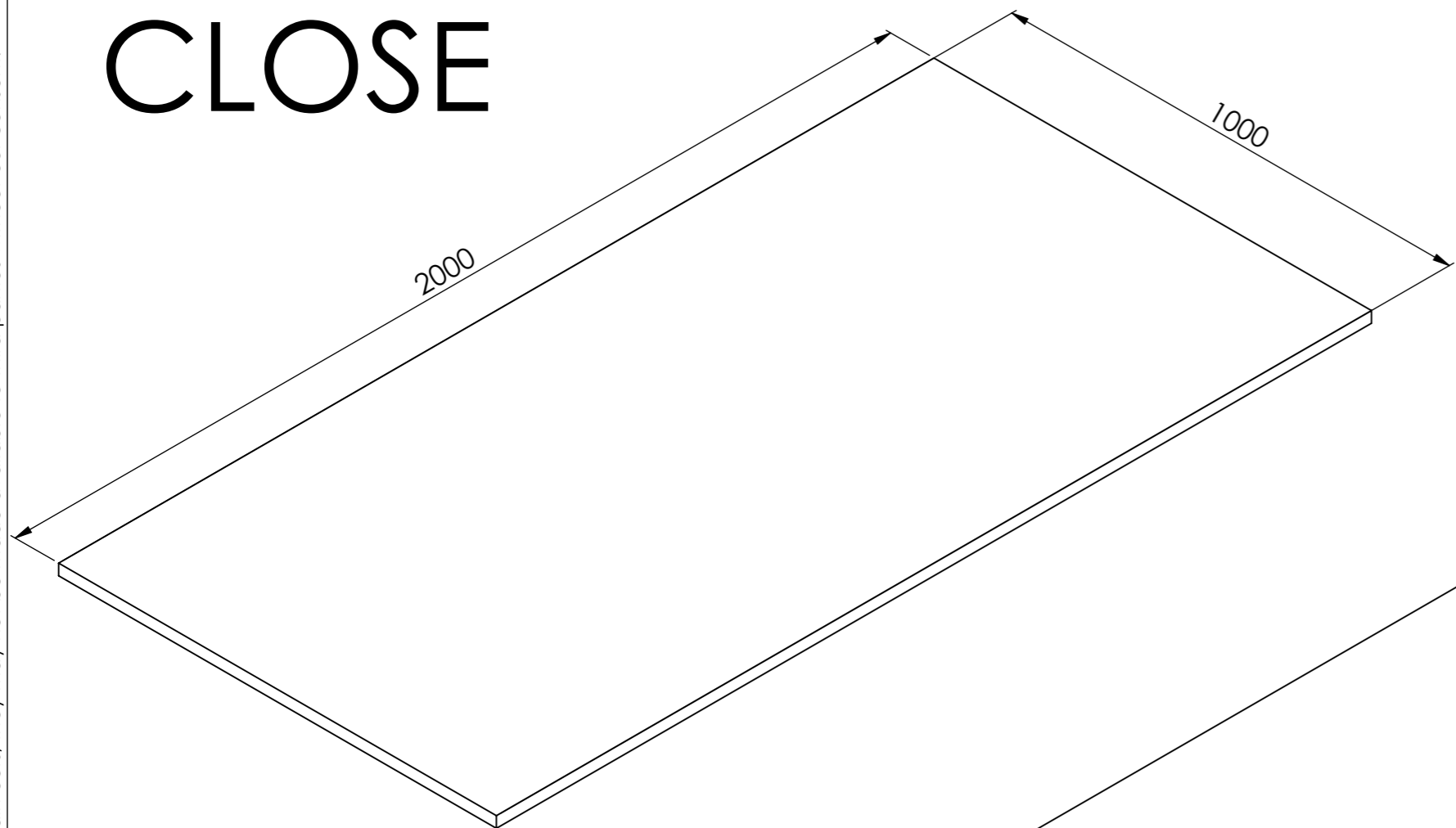


 DIN ISO 128-30	Description: FR/A5F/FM/1822x849x59				
	Surface: diverse		Material: diverse		Weight: kg
 Transforming furniture	Name	Date	Company		
	Signed	Piaszczyński	14.04.2020	HARAP LTD.	
	Tested				Second Company:
General tolerance: DIN ISO 2768 - m		Item No: PL0420-FR-003	Scale 1:10	Page 2/5	A3

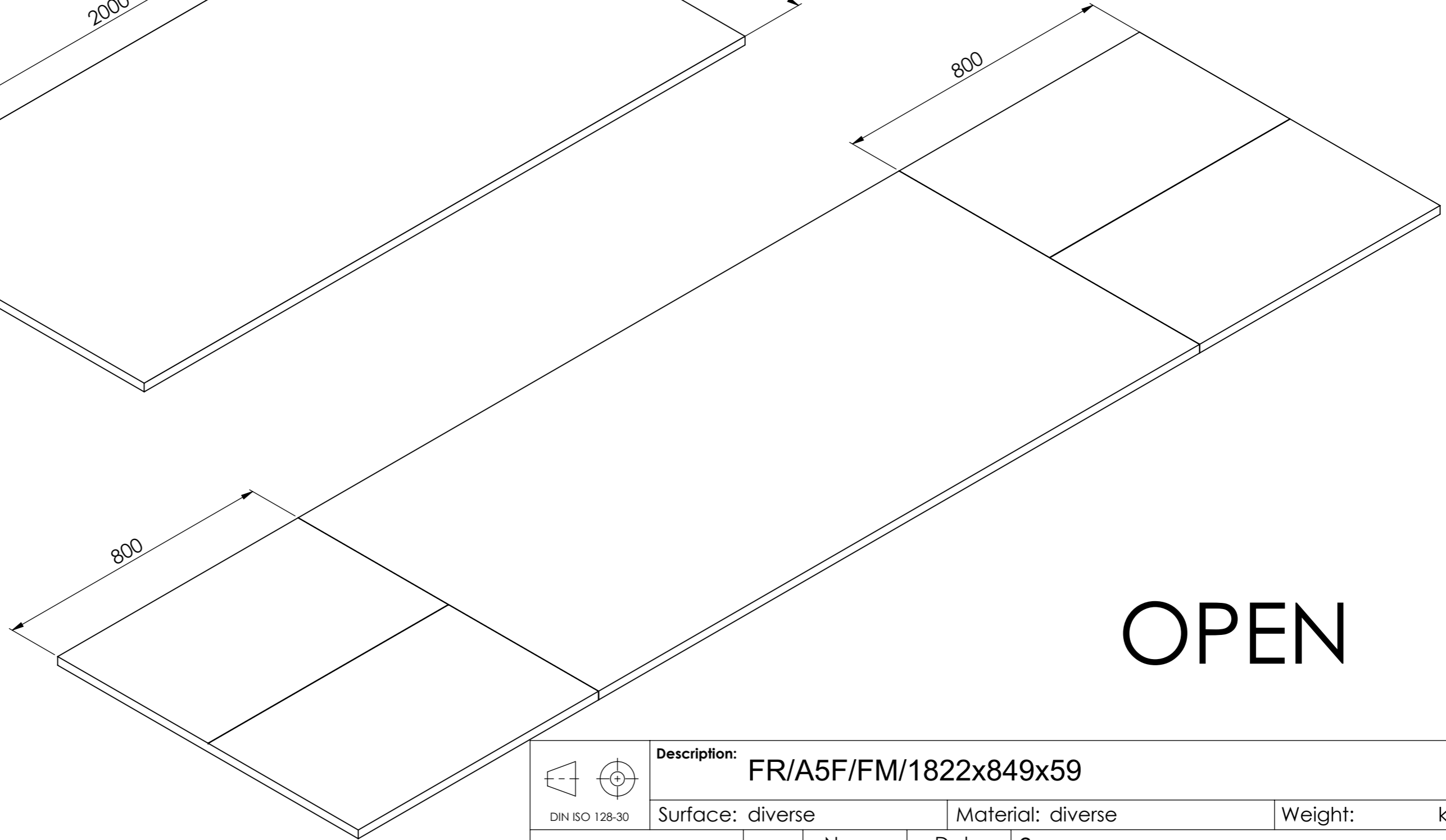
All property rights and rights to exploitation of copyright for this drawing data remain ours; they may not be made available to third parties without our consent.

All property rights and rights to exploitation of copyright for this drawing data remain ours; they may not be made available to third parties without our consent.

CLOSE



OPEN



<p>DIN ISO 128-30</p>	Description: FR/A5F/FM/1822x849x59					
	Surface: diverse		Material: diverse		Weight: kg	
PÖTTKER Transforming furniture	Name	Date	Company			
	Signed	Piaszczyński	14.04.2020	HARAP LTD.		
	Tested	(empty)	(empty)	Second Company:		
General tolerance: DIN ISO 2768 - m		Item No:	PL0420-FR-003	Scale 1:10	Page 3/5	A3