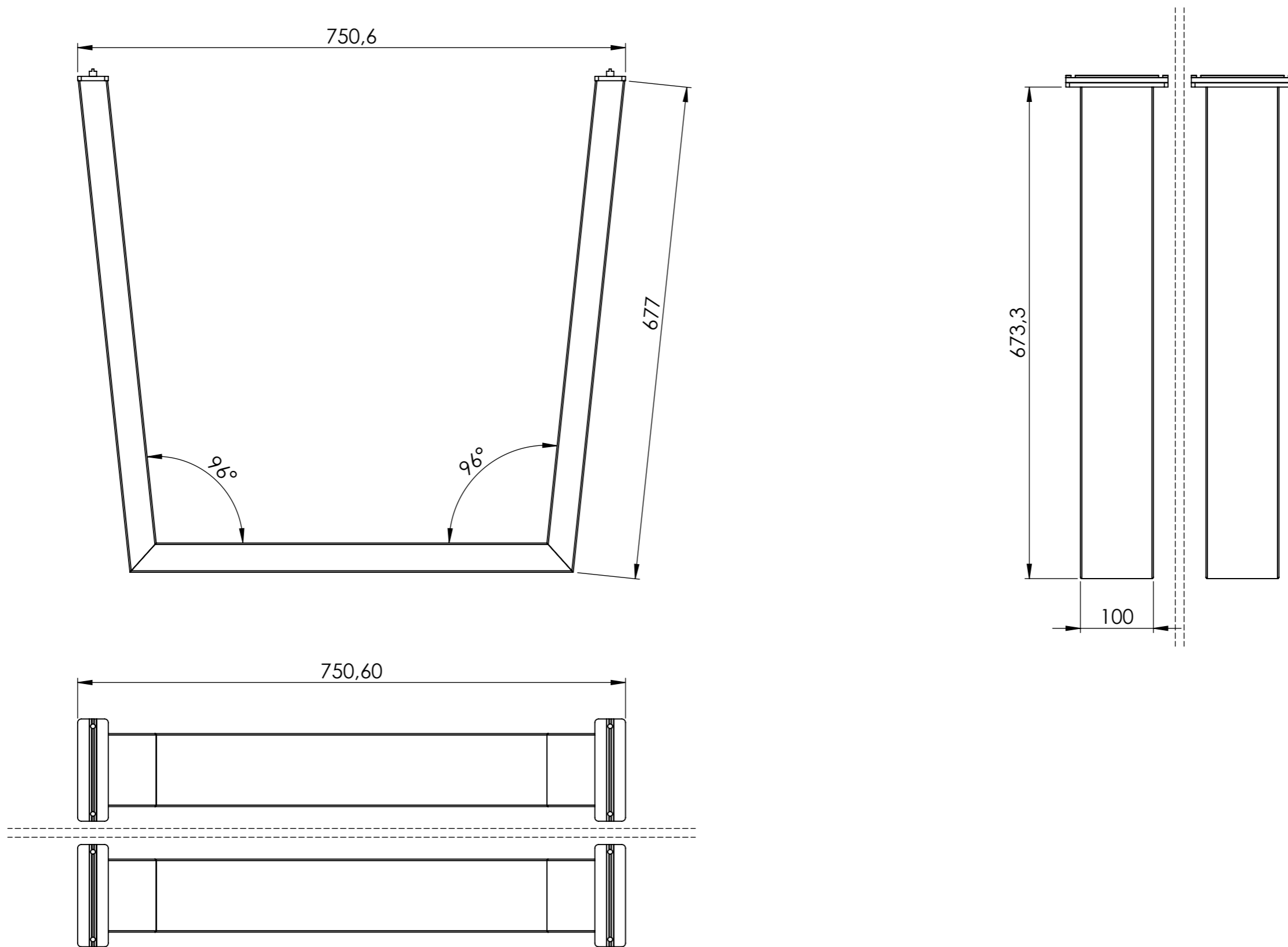
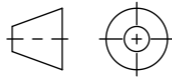


All property rights and rights to exploitation of copyright for this drawing data remain ours; they may not be made available to third parties without our consent.



Index	Change			Date	Name
 DIN ISO 128-30	Description: Wangen-Set/100x40/750,6x673,3/S				
	Surface:		Material:		Weight: 12.15 kg
PÖTTKER Transforming furniture		Name	Date	Company	
	Signed	A.Wewior	12.06.2019		
	Tested	A.Wewior	12.06.2019	Second Company:	
General tolerance: DIN ISO 2768 - m		Item No:	80075801	Scale 1:6	Page 1/2
					A3