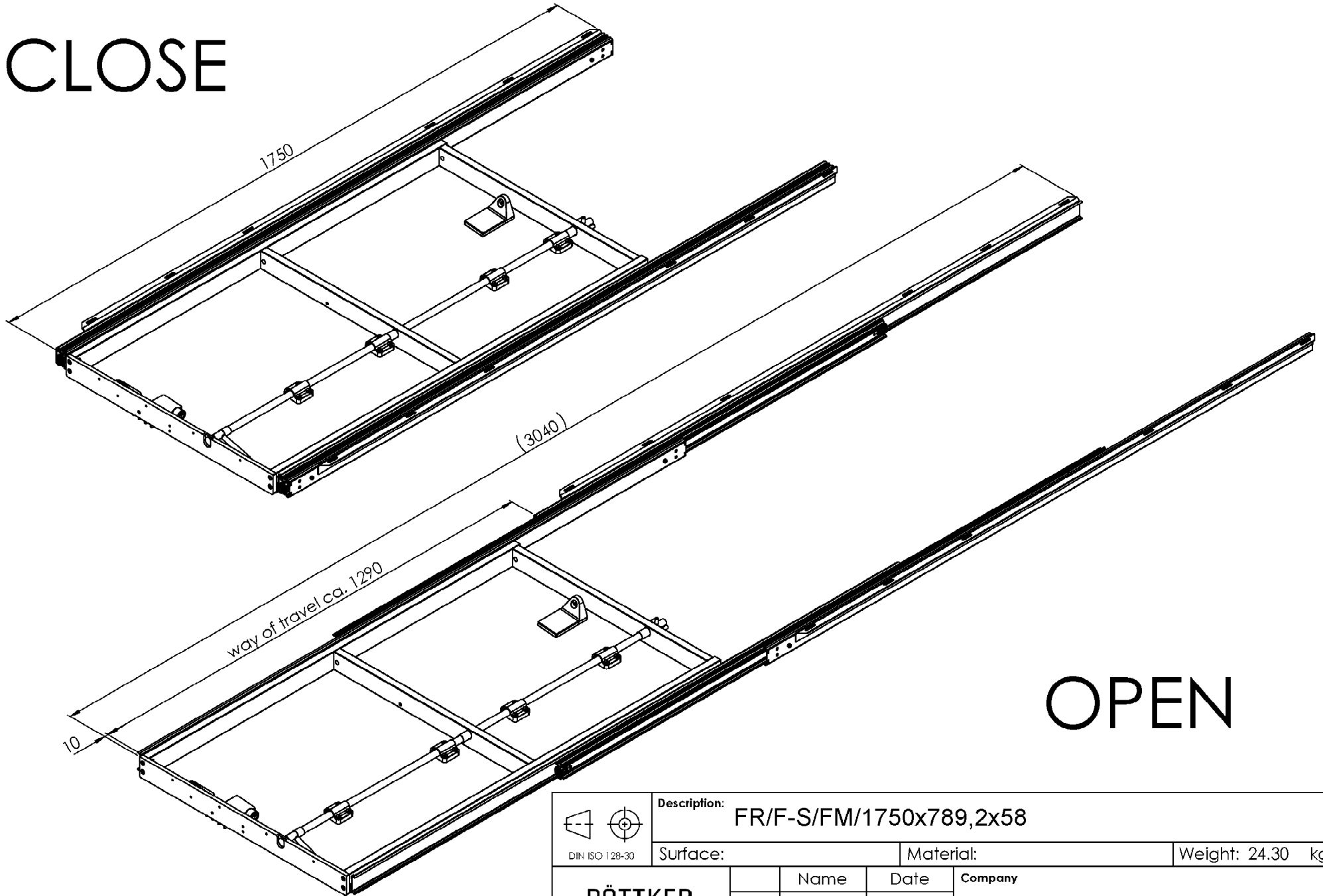


# CLOSE



# OPEN

 DIN ISO 128-30	Description: FR/F-S/FM/1750x789,2x58					
	Surface:		Material:		Weight: 24.30 kg	
<b>PÖTTKER</b> Transforming furniture	Name	Date	Company			
	Signed	A. Wewior	07.02.2020			
	Tested	A. Wewior	10.02.2020	Second Company:		
General tolerance: DIN ISO 2768 - m		Item No:	<b>16175106</b>	Scale 1:8	Page 2/4	<b>A3</b>

All property rights and rights to exploitation of copyright for this drawing data remain ours; they may not be made available to third parties without our consent.