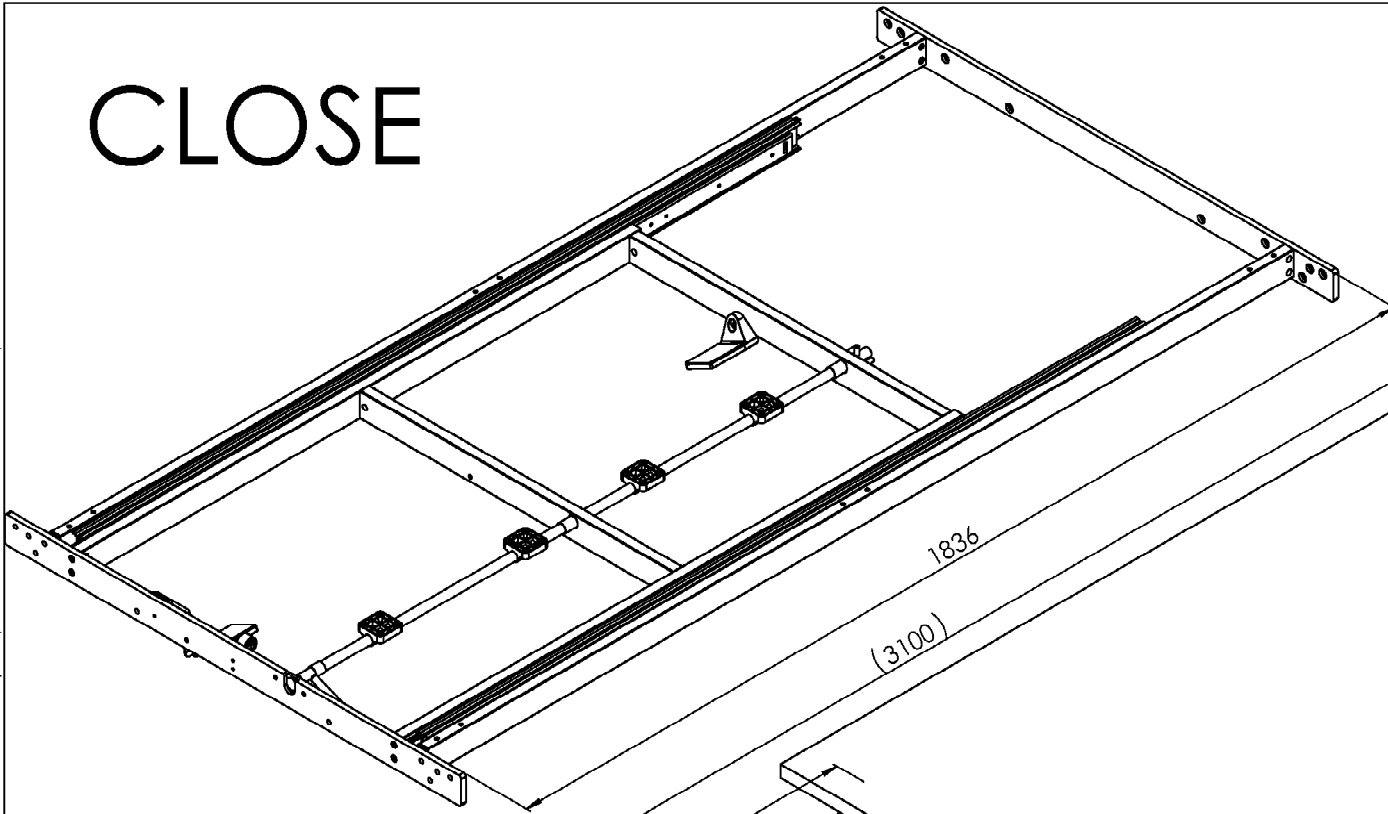


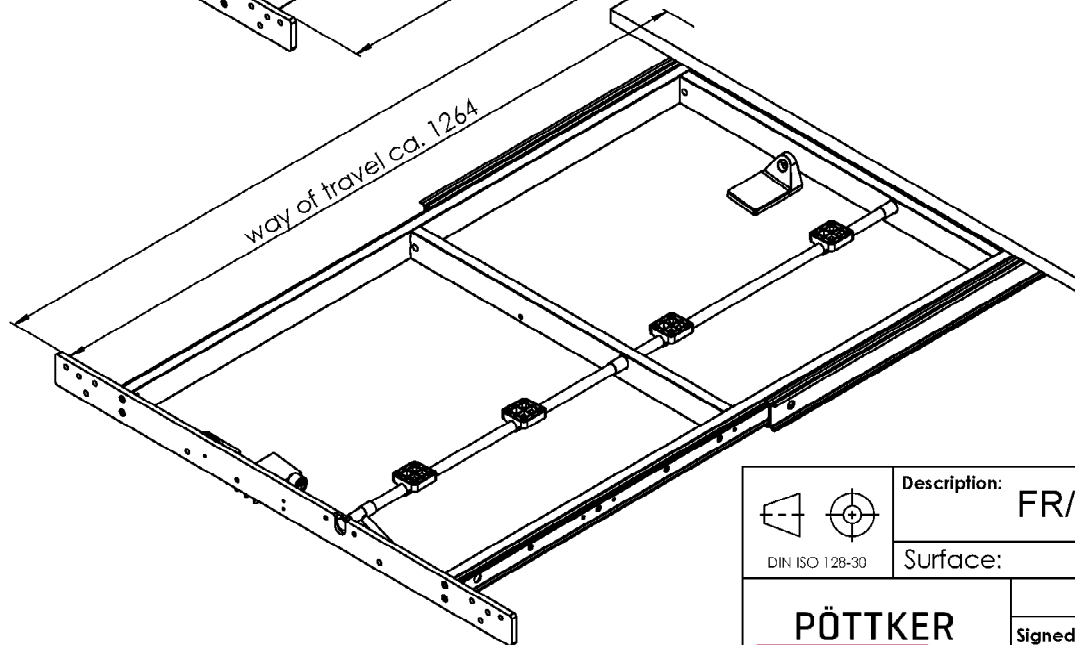
CLOSE



way of travel ca. 1264

1836
(3100)

OPEN



 DIN ISO 128-30	Description: FR/F-T2/FM/1856x966x58					
	Surface:		Material:		Weight: 31.34 kg	
PÖTTKER Transforming furniture	Name	Date	Company			
	Signed	D.Carrera	11.02.2020			
	Tested	D.Carrera	12.02.2020	Second Company:		
General tolerance: DIN ISO 2768 - m		Item No:	16185102	Scale 1:8	Page 2/4	A3

All property rights and rights to exploitation of copyright for this drawing data remain ours; they may not be made available to third parties without our consent.