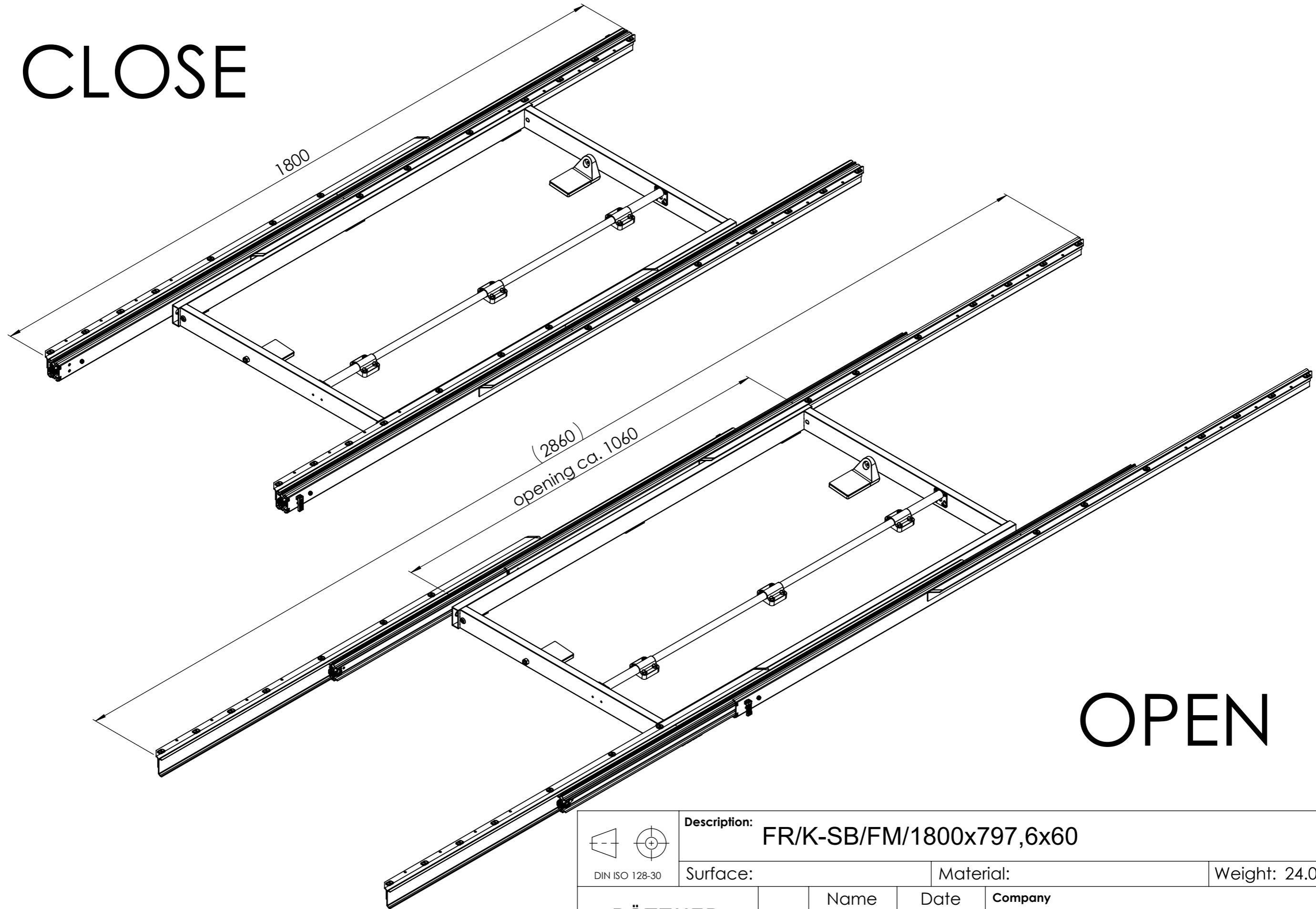
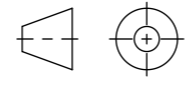


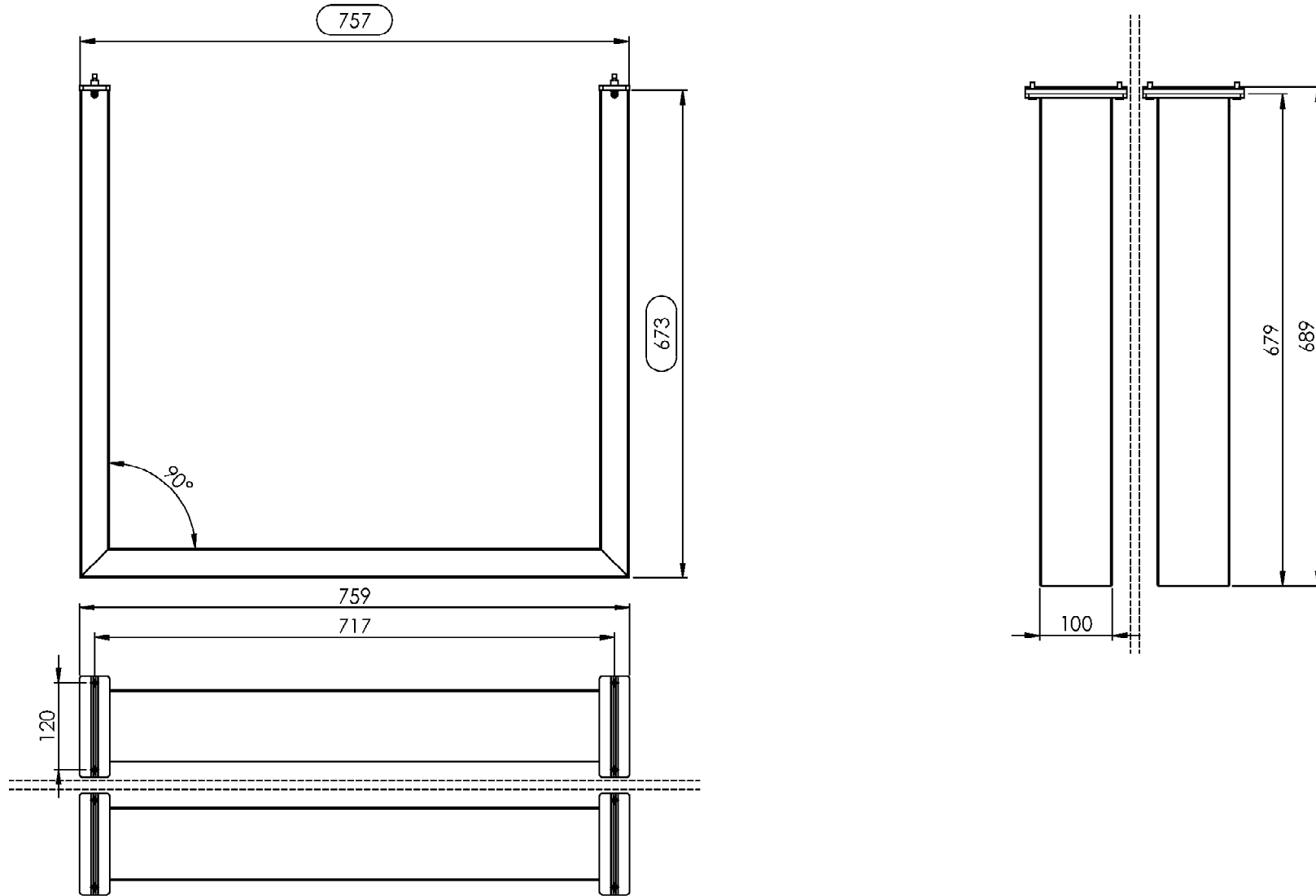
# CLOSE



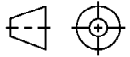
# OPEN

All property rights and rights to exploitation of copyright for this drawing data remain ours; they may not be made available to third parties without our consent.

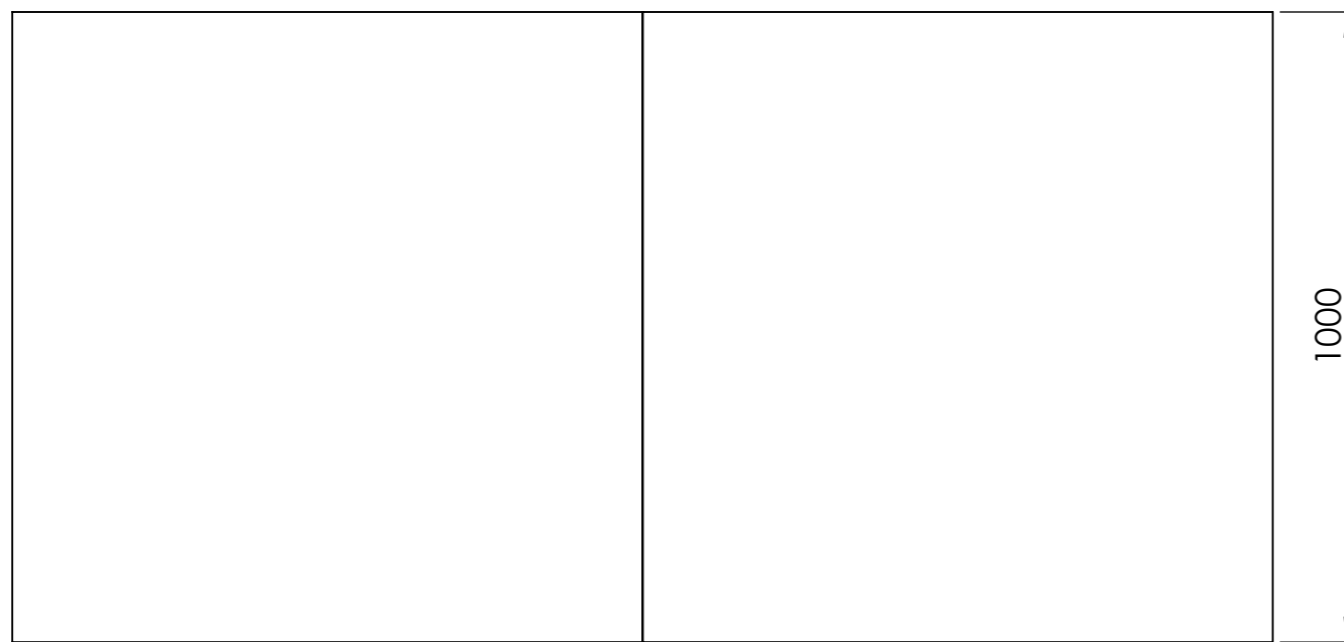
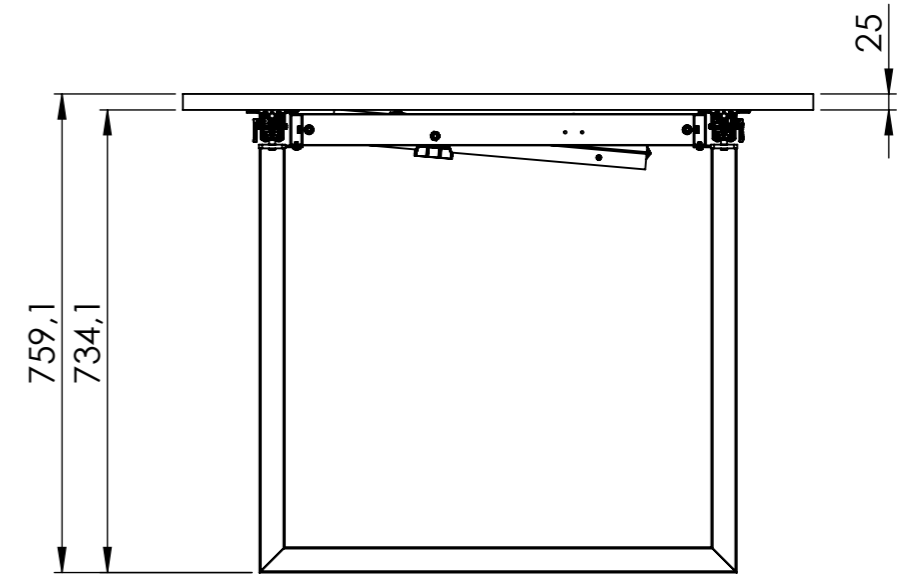
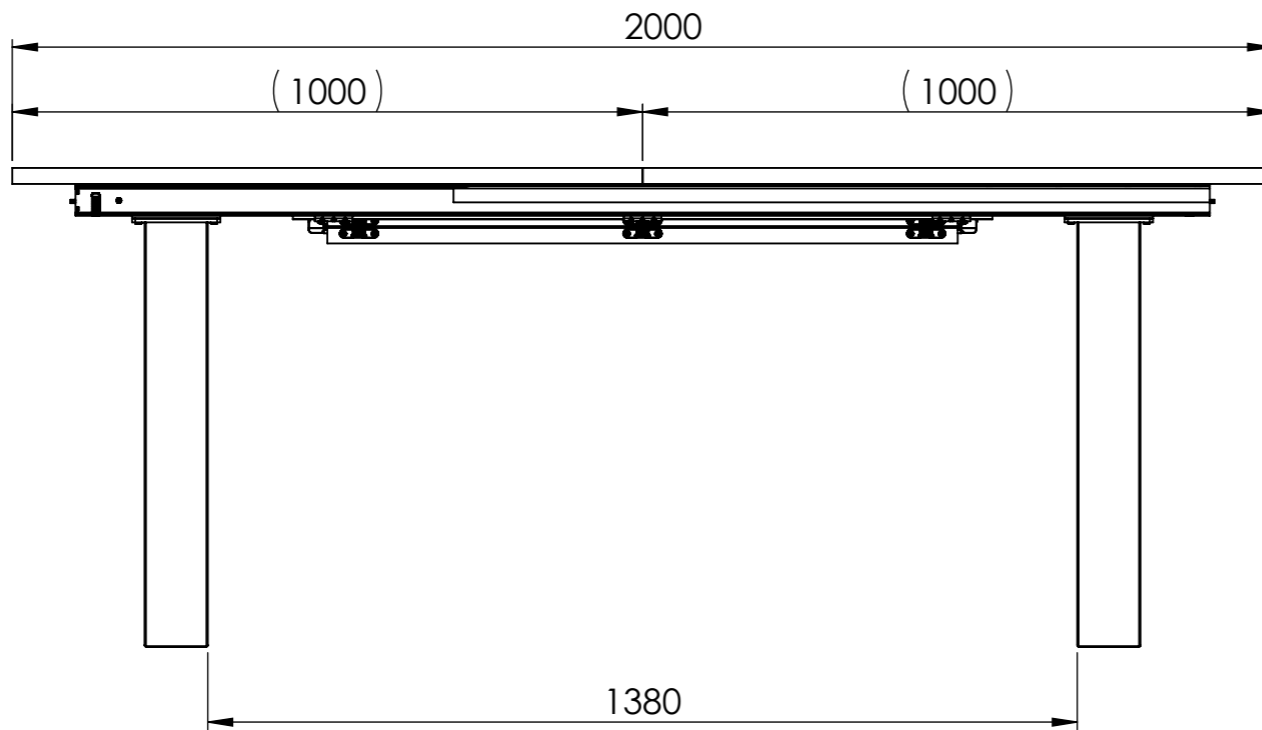
 DIN ISO 128-30	Description: <b>FR/K-SB/FM/1800x797,6x60</b>				
	Surface:		Material:		Weight: 24.04 kg
<b>PÖTTKER</b> Transforming furniture	Name	Date	Company		
	Signed	A.Wewior	03.02.2021	Second Company:	
	Tested				
General tolerance: DIN ISO 2768 - m		Item No: <b>2021-018-200</b>	Scale 1:8	Page 2/4	<b>A3</b>



All property rights and rights to exploitation of copyright for this drawing data remain ours; they may not be made available to third parties without our consent.

Index	Change		Date	Name
 DIN ISO 128-30	Description: <b>Wangen-Set/100x40/757x673</b>			
	Surface:		Material:	Weight: 12.23 kg
<b>PÖTTKER</b> Transforming furniture	Name	Date	Company	
	Signed	A. Wewior	01.03.2021	
	Tested	A. Wewior	21.06.2021	Second Company:
General tolerance: DIN ISO 2768 - m		Item No: <b>80075802</b>	Scale 1:6	Page 1/2
			<b>A3</b>	

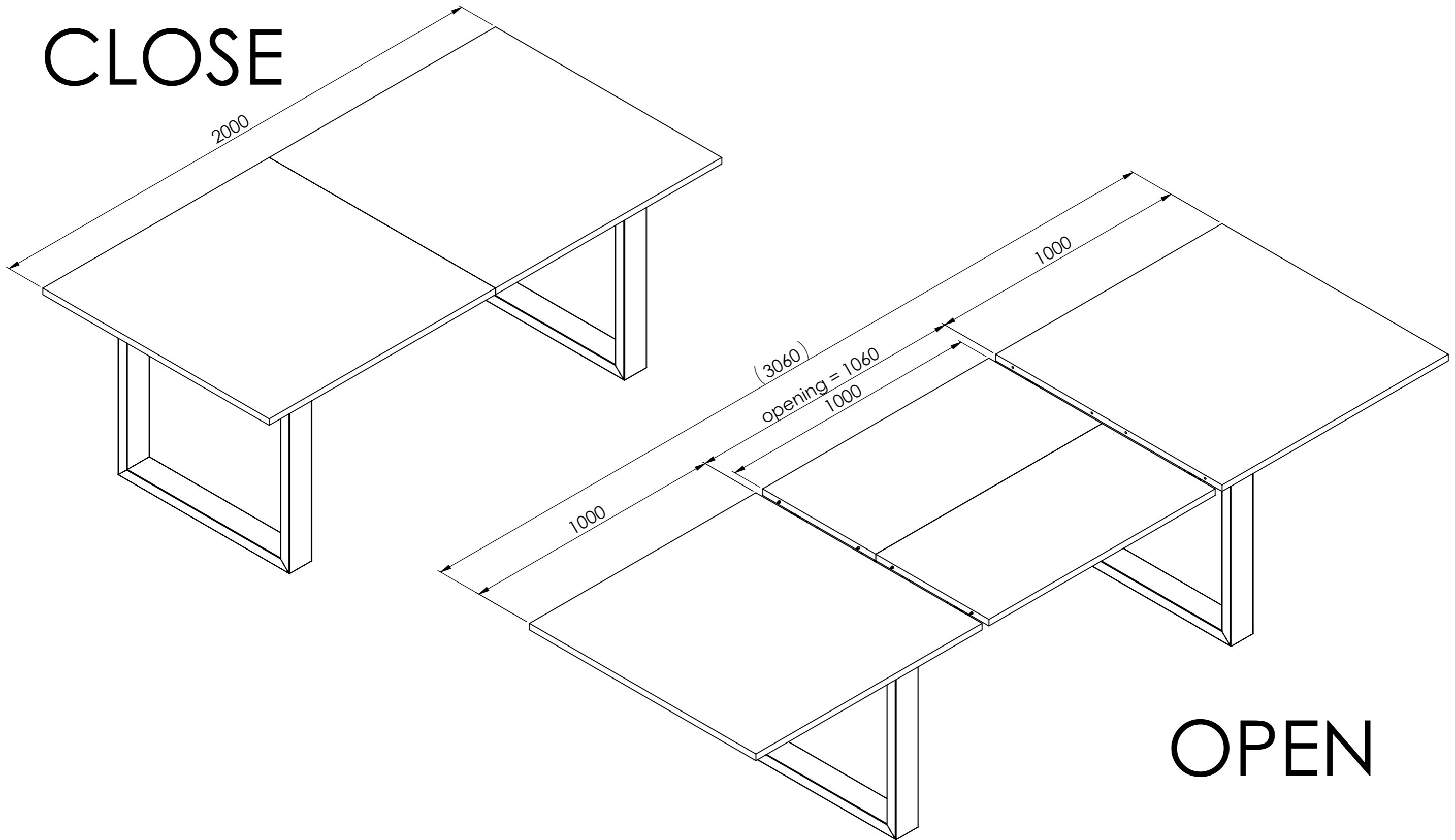
All property rights and rights to exploitation of copyright for this drawing data remain ours; they may not be made available to third parties without our consent.



opening : ca. **1060** mm

Index	Change			Date	Name	
 DIN ISO 128-30	Description: <b>Tisch/2000x1000x759</b>				Weight: 111.32 kg	
	Surface:		Material:			
 Transforming furniture	Name	Date	Company			
	Signed	A. Wewior	01.03.2021			
	Tested			Second Company:		
General tolerance: DIN ISO 2768 - m		Item No:	<b>2021-018-000</b>	Scale 1:12	Page 1/3	<b>A3</b>

All property rights and rights to exploitation of copyright for this drawing data remain ours; they may not be made available to third parties without our consent.



<p>DIN ISO 128-30</p>	<b>Description:</b> Tisch/2000x1000x759					
	<b>Surface:</b>		<b>Material:</b>		<b>Weight:</b> 111.32 kg	
<p><b>PÖTTKER</b> Transforming furniture</p>	<b>Name</b>	<b>Date</b>	<b>Company</b>			
	<b>Signed</b>	A. Wewior	01.03.2021	<b>Second Company:</b>		
	<b>Tested</b>					
<b>General tolerance:</b> DIN ISO 2768 - m		<b>Item No:</b>	<b>2021-018-000</b>	<b>Scale</b> 1:12	<b>Page</b> 2/3	<b>A3</b>